

Features

- Safe operation
- Suitable for bi-directional flow
- Leak free
- Porting NG 6 according to DIN 24340

Shut-off valves	Type BV700
NG 6 up to 700 bar	up to 25 l/min



Application

- as cartridge
- as modular valve

Shut-off valves are used for manually opening and closing a channel.

They can also be used as drainage valves against the tank line.

Shut-off valves are suitable for bidirectional flow.

Technical data

Hydraulic fluid	Mineral oil according to DIN 51524 (other fluids on request)
Fluid temperature range	NBR: -30 to 80 °C FPM: -20 to 80 °C
Ambient temperature range	-30 to 50 °C
Viscosity range	5 to 400 mm ² /s (optimal: 10-68)
Porting	NG 6 according to DIN 24340 / ISO 4401 / CETOP RP 121 H
Operating pressure max. connection P, A, B	700 bar
Operating pressure max. connection T	350 bar
Flow rate max.	25 l/min
Pressure drop at 25 l/min (Valve fully open)	15 bar
Filtration	according to NAS 1638, class 6 or ISO/DIN 4406 15/12
Weight	see dimension drawings
Material / surface treatment	Steel parts: blued Cartridge: stainless steel Adjusting knob: cast iron

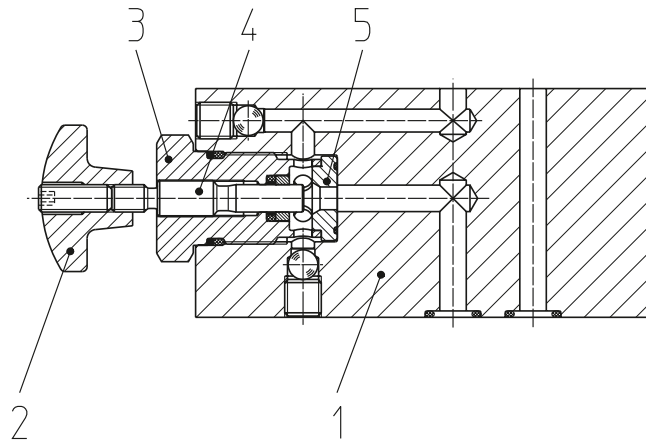
Shut-off valves	Type BV700
NG 6 up to 700 bar	up to 25 l/min

Function and design

The shut-off valve comprises a cartridge and the valve body (1) in intermediate plate design.

The cartridge consists of adjusting knob (2), spindle (4), seat (5) and cartridge (3).

The spindle design allows easy adjustability even at high pressure. A hexagon opening in the adjusting knob allows more sensitive adjustment by means of an allen-key. If the spindle is fully screwed in, the relevant channel is closed and leak free.



Accessories

For each valve the following is included:
 4 pieces O-rings 9,25 x 1,78 mm
 90°ShA part no. 900195

Tie bolts / fixing screws and subplates
 see technical data sheet AP / RP

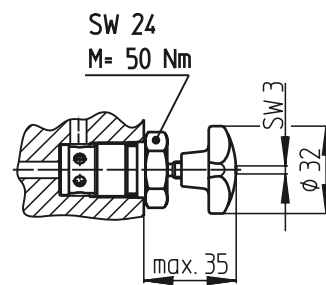
Operating instructions see BA-BV700

Cartridges

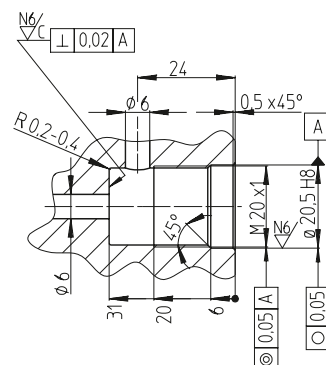
Design revision A
 Weight 0,12 kg

Type

AV700-6-E-25-P-A*00
 AV700-6-E-25-V-A*00



Bore dimension



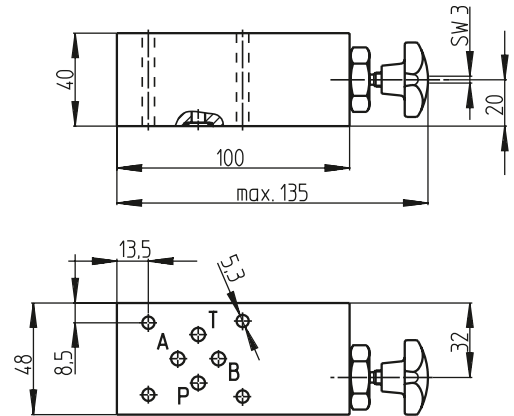
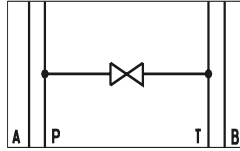
Shut-off valves	Type BV700
NG 6 up to 700 bar	up to 25 l/min

Shut-off valves

Design revision A
Weight 1,9 kg

Type

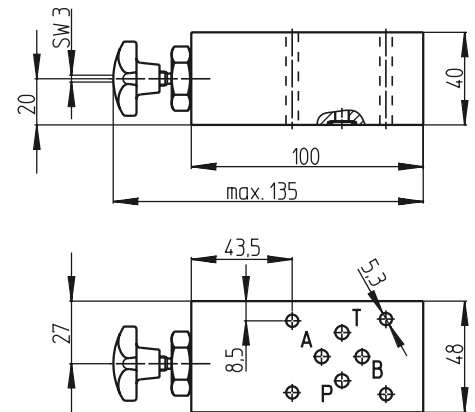
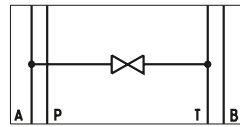
AV700-6-PT-25-P-A*00
AV700-6-PT-25-V-A*00

**Shut-off valves**

Design revision A
Weight 1,9 kg

Type

AV700-6-AT-25-P-A*00
AV700-6-AT-25-V-A*00



Shut-off valves	Type BV700
NG 6 up to 700 bar	up to 25 l/min

Shut-off valves

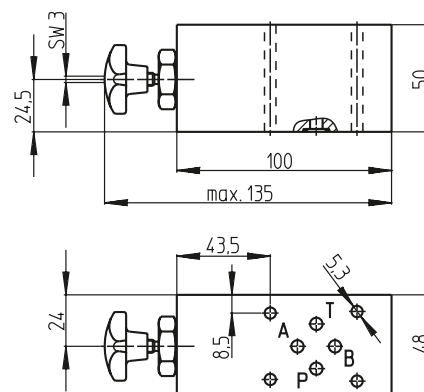
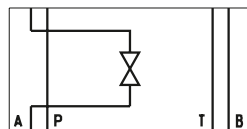
Design revision A

Weight 1,9 kg

Type

AV700-6-AA-25-P-A*00

AV700-6-AA-25-V-A*00

**Shut-off valves**

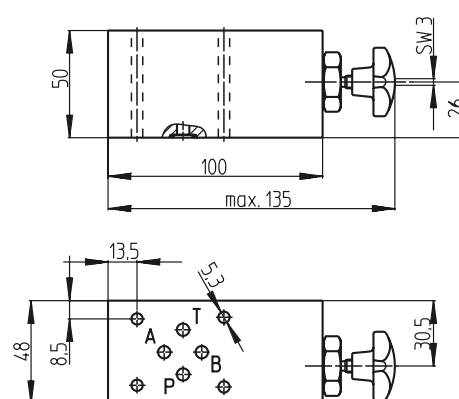
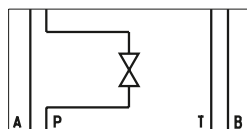
Design revision A

Weight 1,9 kg

Type

AV700-6-PP-25-P-A*00

AV700-6-PP-25-V-A*00



As we are constantly improving our products, we keep us the right to change the technical specifications without prior notice.

AV700-EN-0608

Bieri Hydraulik AG

Könizstrasse 274

CH-3097 Liebefeld/Switzerland

Tel. +41 31 970 09 09

Fax +41 31 970 09 10

sales@bierihydraulics.com

BIERI
SWISS HYDRAULICS